



Les Équipements Qué-Mont inc.

7475 Boul. Thimens

St-Laurent, Qc H4S 2A2

ASCOT Member of the
Ascot Corporation

TÉL. : (514) 331-0302

FAX : (514) 745-3109

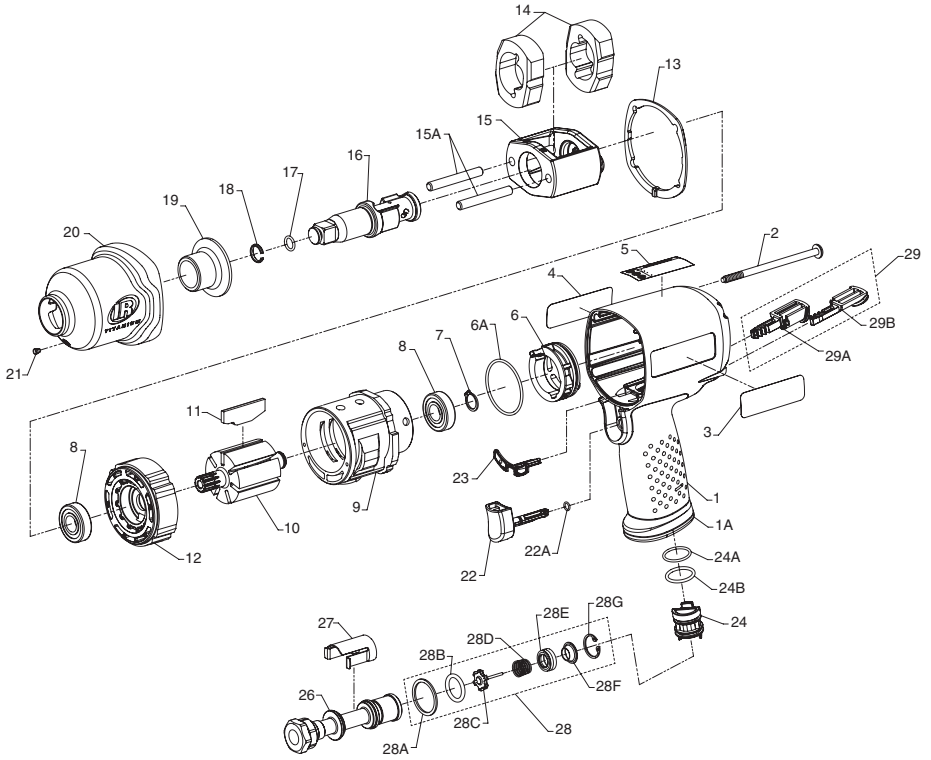
FAX : (888) 745-3109

WATTS 1-800-361-1932

Email : info@quemont.com

Breakdown

2135TI



Item	Part Description	Part Number	Item	Part Description	Part Number
*	Housing Assy (2135TI and 2135Ti-2)	2135-A40		Socket Retainer Spring (2135PTI and 2135QPTI)	5UHD-718
	Housing Assy (2135QTI and 2135QTI-2)	2135QTI-A40	† 18	Retaining Clip (2135TI and 2135QTI)	231-425A
	Housing Assy (2135PTI)	2135PTI-A40		Socket Retainer (2135PTI and 2135QPTI)	804-716
	Housing Assy (2135QPTI)	2135QPTI-A40	19	Bushing, Hammer Case	2135-941
1	Housing	---	*	Hammer Case Assy	2135-D727
1A	Exhaust Deflector	---	19	Bushing, Hammer Case	---
3	Nameplate	---	20	Hammer Case	---
4	Information Label	---	21	Grease Fitting	---
5	Warning Label	---	21	Grease Fitting	D0F9-879
23	Gasket	---	† *	Trigger Assy	2135-D93
24	Reverse Valve	---	22	Trigger	---
24A	O-Ring, Reverse Valve (top)	---	22A	O-Ring, Trigger	---
24B	O-Ring, Reverse Valve (bottom)	---	† 23	Gasket	2131-283
29	Button Kit	---	*	Reverse Valve Assy	2131-A329
2	Screw, Hammer Case (4 required)	2135-638	24	Reverse Valve	---
3	Nameplate (2135TI and 2135Ti-2)	2135-301	24A	O-Ring, Reverse Valve (top)	---
	Nameplate (2135PTI)	2135PTI-301	24B	O-Ring, Reverse Valve (bottom)	---
	Nameplate (2135QTI)	2135QTI-301	26	Inlet Bushing Assy (incl. 27, 28)	2135-D565
	Nameplate (2135QPTI)	2135QPTI-301	27	Inlet Clip	2131-57
4	Information Label	2135-300	28	Inlet Parts Kit	2131-K303
5	Warning Label	WARNING-2-99	28A	Washer	---
*	Power Regulator Assy	2135-D249	28B	O-Ring, Seal	---
6	Power Regulator	---	28C	Valve	---
6A	O-Ring, Power Regulator	---	28D	Spring	---
7	Retaining Ring	2131-6	28E	Seat	---
8	Ball Bearing (2 required)	2131-97	28F	Support	---
9	Cylinder	2131-3A	28G	Retainer	---
10	Rotor	2135-53	29	Button Kit	2135-K75
† 11	Vane Pack (set of 7)	2135-42A-7	29A	Forward Button	---
12	End Plate	2131-11	29B	Reverse Button	---
† 13	Hammer Case Gasket	2135-36	*	Tune-Up Kit	2135-TK1
*	Hammer Kit (2135TI and 2135QTI)	2135-THK1	6A	O-Ring, Power Regulator	---
*	Hammer Kit (2135Ti-2 and 2135QTI-2)	2135-2-THK1	7	Retaining Ring	---
	Hammer Kit (2135PTI and 2135QPTI)	2135PTI-THK1	8	Ball Bearing (2)	---
13	Hammer Case Gasket	---	11	Vane Pack (set of 7)	---
14	Hammer (2)	---	13	Hammer Case Gasket	---
15A	Hammer Pin (2)	---	17	O-Ring	---
16	Anvil Assy	---	18	Retaining Clip	---
*	Kit Grease	---	22A	O-Ring, Trigger	---
*	Hammer Frame Assy Kit	2135-K703	23	Gasket	---
15	Hammer Frame	---	24A	O-Ring, Reverse Valve (top)	---
15A	Hammer Pin (2)	---	24B	O-Ring, Reverse Valve (bottom)	---
*	Kit Grease	---	28	Inlet Parts Kit	---
*	Anvil Assy (2135TI and 2135QTI)	231B-A626	*	Inlet Clip Removal Tool	2131-322
*	Anvil Assy (2135Ti-2 and 2135QTI-2)	231B-A414	† *	Air Care Kit (grease gun, grease, oil)	115-LBK1
*	Anvil Assy (2135PTI and 2135QPTI)	231B-A726	*	Grease (replacement tube for -LBK1)	115-4T
16	Anvil	---	*	Air Tool Oil (4 oz. Bottle)	1024
17	Socket Retainer Spring or O-Ring	---	*	Grease (1 lb can)	105-1LB
18	Socket Retainer	---	*	Grease (8 lb can)	105-8LB
† 17	O-Ring, Anvil (2135TI and 2135QTI)	R1A-159	*	Kit Grease	105-6GR

* Not illustrated.

† To keep downtime minimum, it is desirable to have on hand certain repair parts. We recommend that you stock one (pair or set) of each part indicated by a (†) for every four tools in service

Parts and Maintenance

When the life of the tool has expired, it is recommended that the tool be disassembled, degreased and parts be separated by material so that they can be recycled.

Tool repair and maintenance should only be carried out by an authorized Service Center. Refer all communications to the nearest **Ingersoll-Rand** Office or Distributor.

Related Documentation

For additional information refer to:
Air Impact Wrench Product Safety Information Manual 04580916,
Air Impact Wrench Product Information Manual 04584694.

Manuals can be downloaded from www.irtools.com.