



Les Équipements Qué-Mont inc.

7475 Boul. Thimens

St-Laurent, Qc H4S 2A2

ASCOT Member of the
Ascot Corporation

TÉL. : (514) 331-0302

FAX : (514) 745-3109

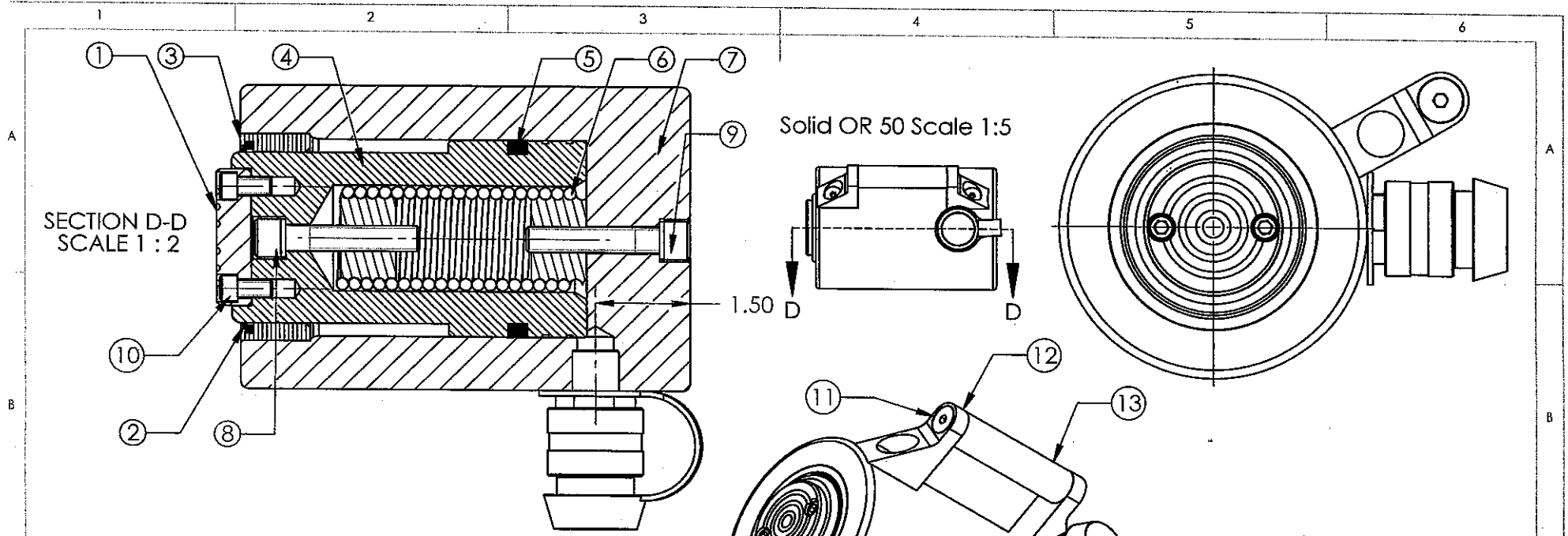
FAX : (888) 745-3109

WATTS 1-800-361-1932

Email : info@quemont.com

Breakdown

ESC506B



Note: # = stroke

ITEM NO.	QTY.	PART DISCRIPTION	PART CODE
1	1	SADDLE	OR50 -1
2	1	WIPER RING	OR50 -2
3	1	RETAINING NUT	OR50 -3
4	1	PISTON	OR50/#-4
5	1	PISTON SEALS	OR50 -5
6	1	SPRING ASSEMBLY	OR50/#-6
7	1	CYLINDER HOUSING	OR50/#-7
8	2	COPPER GASKET	OR50 -8
9	2	CAP SCREW	OR50 -9
10	2	SADDLE SCREWS	OR50 -10
11	4	ALLAN HEAD COUNTERSUNK SCREW	516NC34
12	2	HANDLE SUPPORT	HND01
13	1	HANDLE BAR	OR50/# -13
14	1	COUPLER & DUST CAP	FQCDC01
15		50 TON SEAL KIT (2,5,8)	ORS 50

Solid OR 50 3D Scale 1:3