



**Les Équipements Qué-Mont inc.**

7475 Boul. Thimens

St-Laurent, Qc H4S 2A2

**ASCOT** Member of the  
Ascot Corporation

**TÉL. :** (514) 331-0302

**FAX :** (514) 745-3109

**FAX :** (888) 745-3109

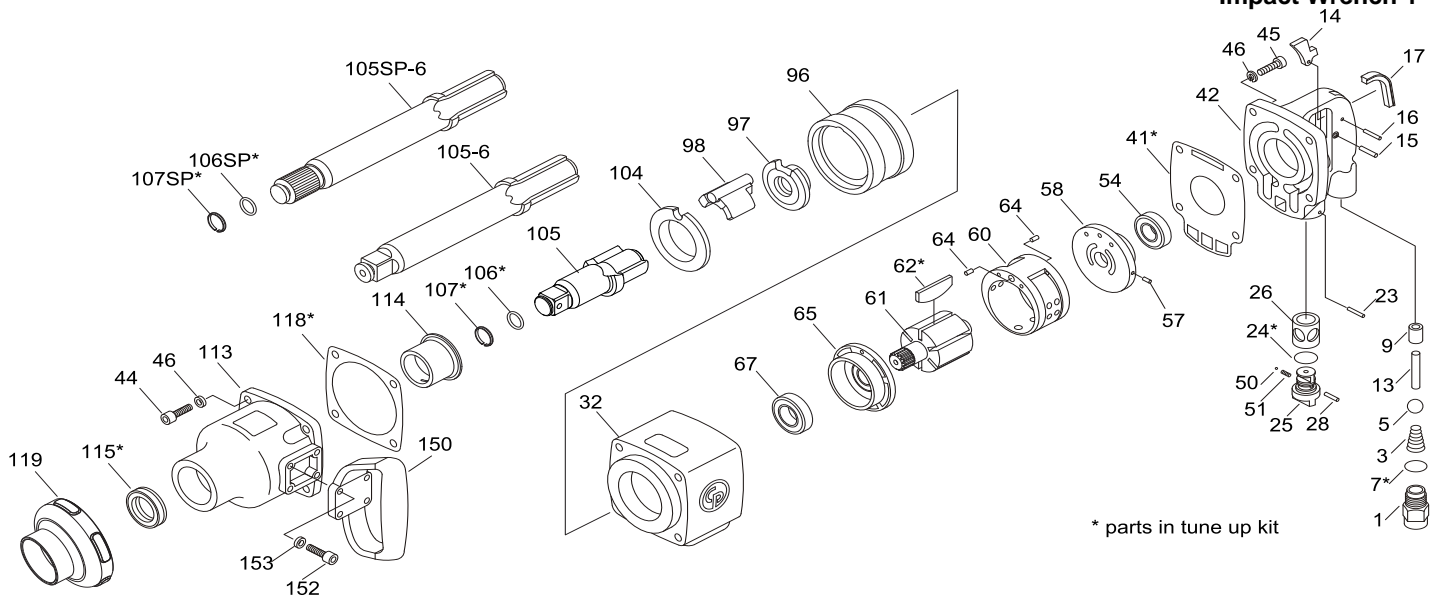
**WATTS** 1-800-361-1932

**Email :** [info@quemont.com](mailto:info@quemont.com)

## Breakdown

# CP7778 Series

## Impact Wrench 1"



Item	Part No.	Description	Qty.
<b>A 8940170247 HANDLE ASS'Y (Incl: Kit No. A1, A2, A3)</b>			
1	8940162161	Inlet Bushing	1
41	8940162172	Gasket - Handle	1
42	8940162151	Throttle Handle Ass'y (Incl: Index No. 9, 26)	1
9		Bushing - Throttle Valve	1
26		Bushing - Reverse Valve	1
45		Screw	4
46		Lock Washer	4
<b>A1 8940170361 THROTTLE VALVE KIT</b>			
3		Spring-Throttle Valve	1
5		Valve - Throttle	1
Z		O-ring	1
9		Bushing - Throttle Valve	1
13		Plunger - Throttle Valve	1
<b>A2 8940170248 TRIGGER KIT</b>			
14		Lever - Throttle	1
15		Pin - Throttle Lever	1
16		Pin - Lever Stop	1
17		Cover - Slot	1
<b>A3 8940170249 REVERSE VALVE KIT</b>			
23		Pin - Lever Stop	1
24		O-Ring	1
25		Valve - Reverse	1
28		Pin	1
50		Ball	1
51		Spring	1
<b>C 2050554053 REAR ENDPLATE KIT</b>			
54	8940162177	Bearing	1
57		Pin	1
58		Plate - Rear End	1
64		Pin	1
<b>D 8940170250 FRONT ENDPLATE KIT</b>			
64		Pin	1
65		Plate-Front End	1
67	8940162185	Bearing	1
<b>E 8940170251 CLUTCH KIT</b>			
96		Cage	1
97	8940162187	Cam	1
98	8940162188	Dog	1
104	8940162189	Bushing - Cage	1
<b>F1 8940162190 ANVIL ASS'Y - 1" SQ. DR. (Incl: Kit No. F1.1)</b>			
105		Anvil - Square drive 1"	1
F1.1	2050554093	SOCKET RETAINER KIT - 1" SQUARE DRIVE	
106		O-Ring	1
107		Ring - Friction	1

Item	Part No.	Description	Qty.
<b>F2 8940162191 ANVIL ASS'Y - 1" SQ. DR., 6" EXT. (Incl: Kit No. F1.1)</b>			
105-6		Anvil - Square drive 1", 6" ext.	1
F1.1	2050554093	SOCKET RETAINER KIT - 1" SQUARE DRIVE	
106		O-Ring	1
107		Ring - Friction	1
<b>F3 8940162192 ANVIL ASS'Y - #5 SPLINE DR., 6" EXT. (Incl: Kit No. F1.1)</b>			
105SP-6		Anvil - Square drive 1", 6" ext.	1
F3.1	8940170255	SOCKET RETAINER KIT - #5 SPLINE DRIVE	
106SP		O-Ring	1
107SP		Ring - Friction	1
<b>G 8940170256 CLUTCH HOUSING KIT</b>			
44		Screw	4
46		Lock Washer	4
113		Clutch Housing Ass'y (Incl: Item No. 114, 115)	1
114		Bushing - Clutch Housing	1
115		Seal	1
118		Gasket - Clutch Housing	1
<b>H 8940170257 SUPPORT HANDLE KIT</b>			
150		Handle - Support	1
152		Screw	4
153		Lock Washer	4
<b>I 2050554123 SCREWS KIT</b>			
44		Screw	4
45		Screw	4
46		Lock Washer	8
152		Screw	4
153		Lock Washer	4
<b>J 2050554203 SMALL PARTS KIT</b>			
5		Valve - Throttle	1
15		Pin - Throttle Lever	1
16		Pin - Lever Stop	2
23		Pin - Lever Stop	1
28		Pin	1
50		Ball	2
51		Spring	2
57		Pin	1
64		Pin	2
<b>OTHER PARTS AND SETS</b>			
32	8940162802	Housing - Motor	1
60	8940162182	Liner	1
61	8940162180	Rotor	1
62	8940162181	Blades (Set of 6)	1
119	2050554943	Protective cover	1
-	CA155779	Warning label	1

	8940162817	OPERATOR'S MANUAL
	8940170227	CE DECLARATION OF CONFORMITY
	6159948710	SAFETY INSTRUCTIONS

<b>8940162816 TUNE UP KIT</b>
7, 24, 41, 62, 106, 106SP, 107, 107SP, 115, 118

Recommended accessories				
	Hose whip	Hose kit (incl. EasyFlow coupling)	Nipple	FRL kit (incl. EasyFlow coupling)
BSP (EURO 7.6mm)	6158112640	6153980575	6158105920	6153980375
NPT	CA049271	6153980615	6158105780	6153980405
NPT (Asia 7.5mm)	CA049271	6153980665	6158106850	6153980435