



Les Équipements Qué-Mont inc.

7475 Boul. Thimens

St-Laurent, Qc H4S 2A2

ASCOT Member of the
Ascot Corporation

TÉL. : (514) 331-0302

FAX : (514) 745-3109

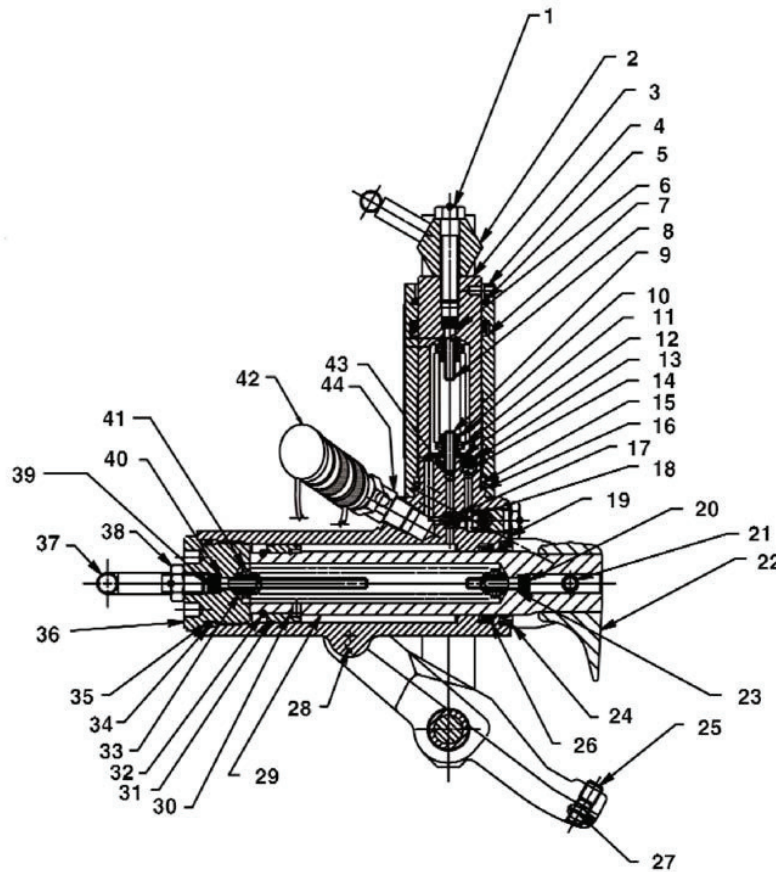
FAX : (888) 745-3109

WATTS 1-800-361-1932

Email : info@quemont.com

Breakdown

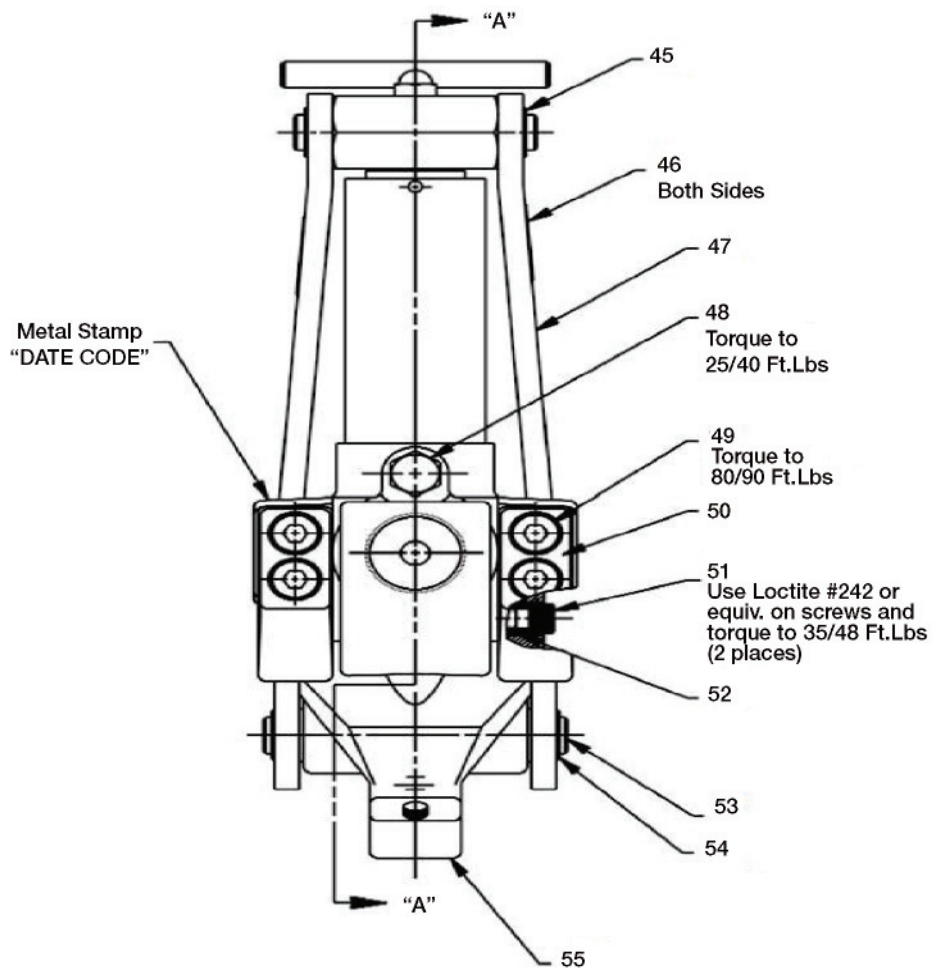
BBH40



Repair Parts List for Model 11010

Item	Part Number	Qty.	Description	Item	Part Number	Qty.	Description
1	11010 - 001	1	Screw, Hex Hd. Cap (7/16-14 X 2), Torque to 30/40 Ft.Lbs	22	11010 - 022	1	Claw, Machining
2	11010 - 002	1	Handle, Strap Pivot	23	11000 - 022	1	Washer, Copper
3	11010 - 003	1	Piston, (Single Jaw)	★24	11010 - 024	1	Wiper, Rod (2.00 x 1.50 URE)
4	11010 - 004	1	Body, Cylinder (Single Jaw); Torque to 125/140 Ft.Lbs	25	11010 - 025	1	Screw, Set (3/8-16 x 1/2)
★5	11010 - 005	2	Rod Wiper	26	11010 - 026	1	U-Cup
★6	11000 - 022	1	Washer, Copper	27	11010 - 027	1	Screw, Set (3/8-16 x 3/8)
★7	11010 - 007	2	U-Cup	28	11010 - 028	1	Body, Beak Breaker
8	11010 - 008	1	Screw, Soc Hd (1/4-20 x 1-1/4), Torque to 90/110 In.Lbs	29	11010 - 029	1	Piston, Cylinder
9	11010 - 009	1	Screw, Set (1/4-20 x 1)	30	11010 - 030	1	Ring, Retainer (internal 141 ID)
10	11010 - 010	1	Spring, Retainer	31	11010 - 031	1	Bearing
11	11010 - 011	1	Spring, (.83 OD x .13 WS)	32	11010 - 032	1	Ring, Retainer (internal 1/31 ID)
12	11010 - 012	1	Washer, Special (1.00 x .26)	33	11010 - 033	1	Spring, Retainer
13	11010 - 013	1	Spring, (.36 OD x .50 x .05 WS)	★34	11010 - 034	1	O Ring, (2.00 x 1.75)
★14	11010 - 014	2	Ball, (1/4 in. Diameter Steel)	35	11010 - 035	1	Washer, Backup (2.00 x 1.75)
★15	11010 - 015	1	O Ring, (1.62 x 1.37 Nitrile)	36	11010 - 036	1	Plug, End (Torque to 14/225 Ft.Lbs)
★16	11010 - 016	1	Washer, Backup (2.00 x 1.75)	37	11010 - 037	1	Handle
★17	11010 - 017	1	Spring, (.32 OD x 1.20 x .08 WS)	38	11010 - 038	1	Nut, Hex Jam (1/2-13)
★18	11010 - 018	1	Ball, (1/4" Diameter Steel)	39	11010 - 039	1	Screw, Soc Hd (1/4-20 x 2-1/2, Torque to 90/110 In.Lbs)
★19	11010 - 019	1	Washer, Copper (.75 x .60)	40	11000 - 022	1	Washer, Copper (.37x.25)
20	11010 - 020	1	Screw, Socket Head (1/4-20 x 1-1/4), Torque to 90/110 In.Lbs	41	11010 - 041	1	Spring, (.83 OD x 5.00 x .13 WS)
21	11010 - 021	1	Pin, Roll (.38 x 2.25)	42	11010 - 042	1	Ram Half Cplr/Plastic Dust Cap
				43	11010 - 043	1	Ball, (3/16" Diameter Steel)
				44	11010 - 044	1	Fitting, Elbow 45° (3/8 NPTF)

★ Parts are included in Repair Kit 11010RK.



Repair Parts List for Model 11010

Item	Part Number	Qty.	Description
45	11010 - 045	2	Ring, Retainer External
46	11010 - 046	2	Decal, Warning
47	11010 - 047	2	Strap
48	11010 - 048	1	Screw, Cap (9/16-18 x 1-1/8)
49	11010 - 049	4	Screw, Soc. Hd. (1/2-13 x 1-1/4)
50	11010 - 050	2	Tooth, Replaceable
51	11010 - 051	2	Screw, Soc. Hd. (3/8-16 x 1)
52	11010 - 052	2	Spacer
53	11010 - 053	1	Pin
54	11010 - 045	2	Ring, Retainer External
55	11010 - 055	1	Jaw, Single