



**Les Équipements Qué-Mont inc.**

7475 Boul. Thimens

St-Laurent, Qc H4S 2A2

**ASCOT** Member of the  
Ascot Corporation

**TÉL. :** (514) 331-0302

**FAX :** (514) 745-3109

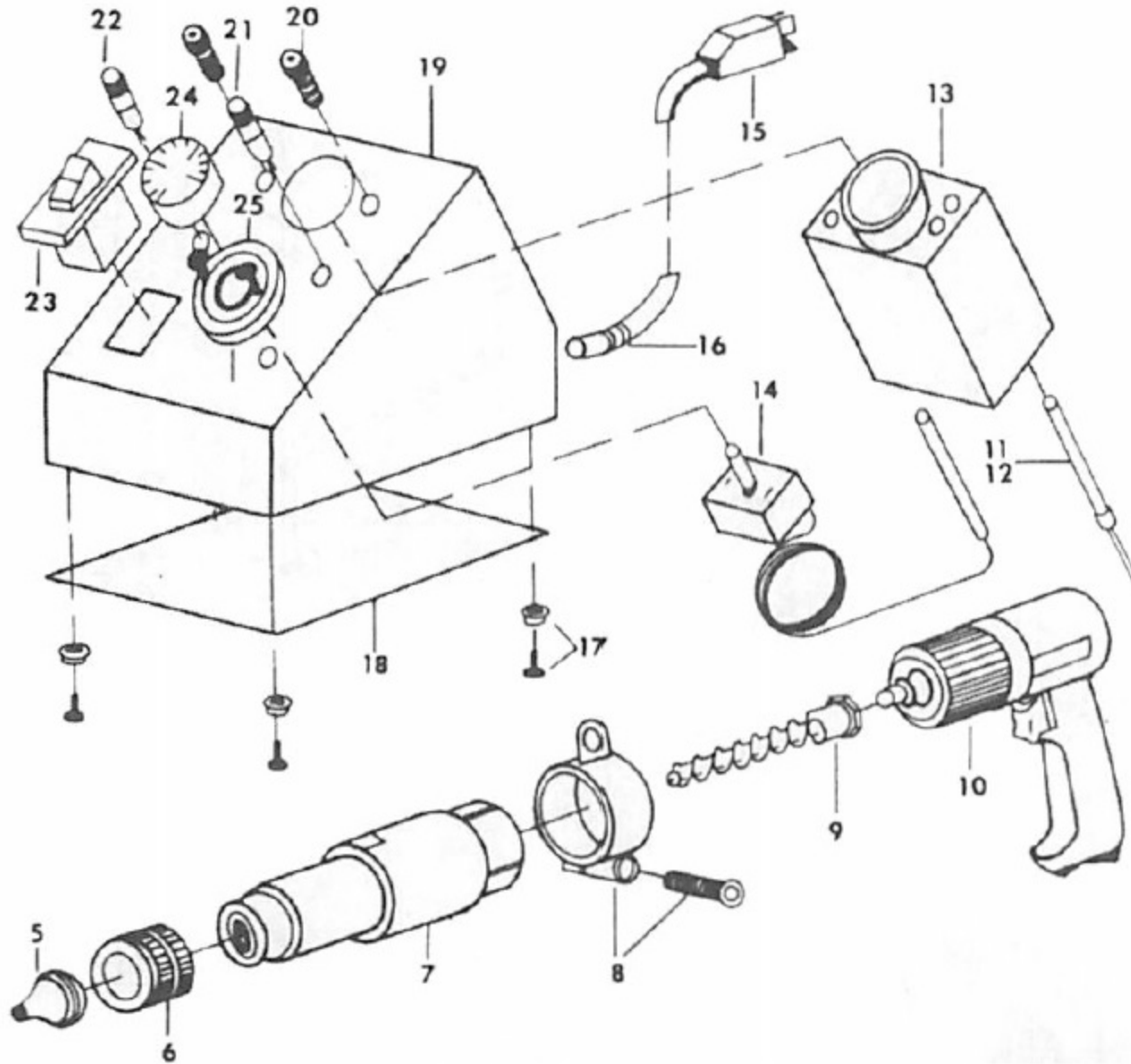
**FAX :** (888) 745-3109

**WATTS** 1-800-361-1932

**Email :** [info@quemont.com](mailto:info@quemont.com)

## Breakdown

# B101



Ref. No.	Part No.	Description	Req.
5	66005	Nozzle	1
6	66006	Nozzle Adapter	1
7	66007	Central Body	1
8	66008	Clamp with Screw	1
9	66009	Extruder Screw	1
10	66010	Bosch Air Drill	1
11	66011	Heat Element 110V	1
12	66012	Heat Element 220V	1
13	66013	Heater Body	1
14	66014	Thermostat with Screw	1
15	66015	Cord with Plug	1
16	66016	Cord Stopper	1
17	66017	Rubber Grommet with Screws	4
18	66018	Metal Screen	1
19	66019	Heater Box	1
20	66020	Screws for Heater Box	2
21	66021	Green Light	1
22	66022	Red Light	1
23	66023	On/Off Switch	1
24	66024	Thermostat Knob Adapter	1
	66026	Lubricator	1